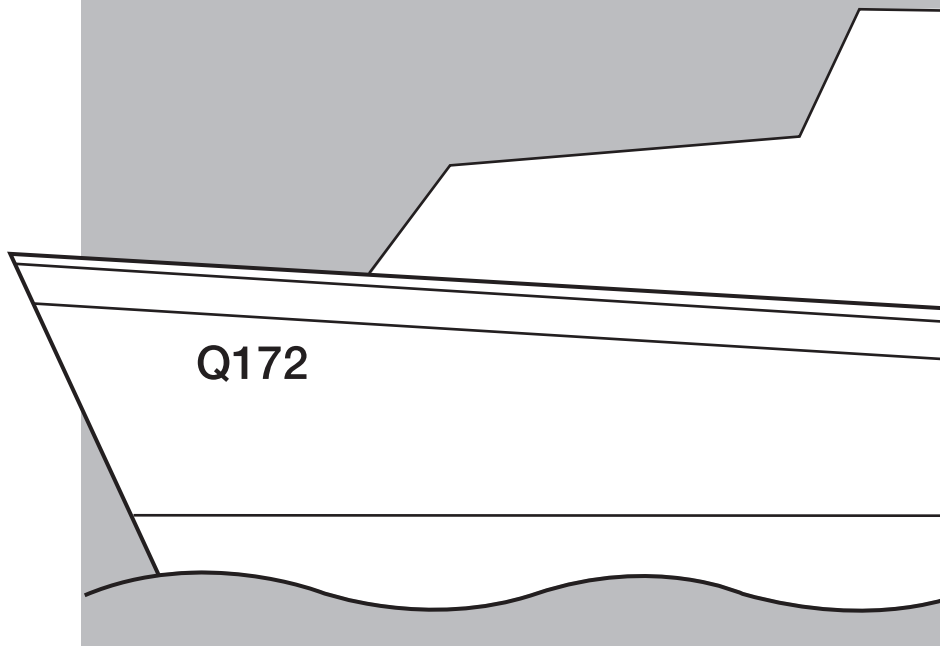


Display of registration marks

Ref: Broads Authority Vessel Registration Byelaws 1997



Tolls Office, Broads Authority, Yare House,
62-64 Thorpe Road, Norwich NR1 1RY
tel: 01603 610734 email: tolls@broads-authority.gov.uk

Tolls direct 01603 756080

www.broads-authority.gov.uk



Broads
Authority

The **Broads Authority Vessel Registration Byelaws 1997** require that every vessel moored, used or navigated in the Authority's Navigation Area or adjacent waters must be registered with the Authority and that the registration marks issued by the Authority must be conspicuously displayed on the vessel. The byelaws also require that the appropriate toll for the vessel must be paid. Failure to comply with these requirements is an offence which may lead to conviction and a fine of up to £1,000.

Registration Marks

The Authority issues three self-adhesive registration mark plaques per vessel. Alternatively plainly and conspicuously painted registration marks or screw on numbers are permitted. Characters must be plain, not stylised, and must be applied on a contrasting background.

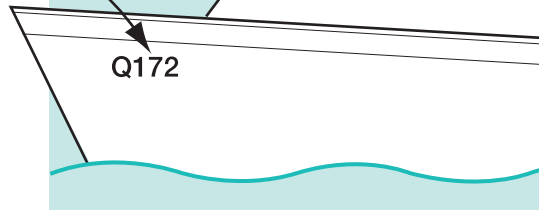
The registration marks must be of the correct size, that is 90 mm (3½") for motor cruisers and most powered craft, 50 mm (2") for sailing craft. Display requirements for various types of craft are set out overleaf. Replacement numbers are available from the Authority's head office. There is a charge for this.

The registration mark remains with the vessel until it is destroyed or permanently removed from the Broads.

Do not remove the registration mark on sale of the vessel.

Fix adhesives to a clean dry surface

registration mark



Display

Where display of registration marks is required "on both bows and on the stern" (see overleaf) they must be displayed on each side of the hull of the vessel within approximately 2 metres of the bow so as to be clearly visible from other vessels or the bank, and on the stern of the vessel so as to be clearly visible from behind.

Registration marks must not be wholly or partially obscured by fenders or fender lanyards or by dinghies in davits etc. It may be necessary to repeat the marks to avoid this.

Registration marks must not be displayed on the superstructure, cabin sides or upper-works of a vessel or in cabin or wheelhouse windows.

Yachts may display registration marks on a board securely suspended beneath the bowspit, visible both sides.

Vessels with permanent guard rails round the deck edge may display registration marks on boards securely mounted on the guard rails near the bow.

Where the registration mark is obscured by a protective cover (whether temporary or permanent) the cover must carry a facsimile of the registration mark clearly visible from both sides of the vessel.

Registration marks

1 HIRE
motor cruisers,
all sizes
including
passenger/
excursion vessels

[90 mm] on both sides of vessel near bow and on stern

2 PRIVATE
motor cruisers,
all sizes

[90 mm] on both sides of vessel near bow and on stern

3 HIRE
motor dayboats,
launches,
motor dinghies,
all sizes -
includes all
motor craft let out
for hire other
than as tenders to
larger hire craft -
see category 10

[90 mm] on both sides of vessel near bow and on stern

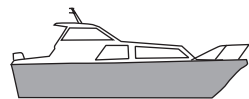
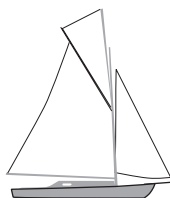
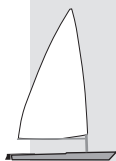
4 PRIVATE
motor dayboats,
launches,
outboard dinghies,
dories etc.
including sailing
dinghies/tenders
fitted with
outboard motors

Length over 5.0 m (16.4')

[90 mm] on both sides of vessel near bow and on stern

Length 5.0 m (16.4') or less

[50 mm] on both sides of vessel near bow and on stern



5 HIRE
sailing cruisers,
all sizes
incl. half-deckers/
keelboats

Note: All sailing
vessels may display
marks on a board
beneath bowsprit,
visible both sides.

[50 mm] on both sides of vessel near bow and on stern

6 PRIVATE
sailing cruisers,
all sizes

Note: All sailing
vessels may display
marks on a board
beneath bowsprit,
visible both sides.

As category 5 above **but:** vessels with a low freeboard or long counter stern which makes display impracticable will not be required to display marks **provided** the vessel is clearly marked on both bows or on stern with its registered name.

7 PRIVATE
**half deckers/
keelboats,**
(e.g. YBOD, BOD,
WOD, only)
Rebel, Reedling,
Yeoman, Squib,
Flying Fifteen and
traditional Broads
half-deckers
etc)

[50 mm] options:

- (a) on both sides near bow
- (b) on board beneath bowsprit, visible both sides
- (c) on cockpit coaming facing outboard, both sides
- (d) on foredeck, port and starboard, near deck edge

but display not required provided the vessel is clearly marked with its registered name on both bows or on the stern (or in the case of vessels with long counters on the aft cockpit coaming)

Registration marks

8 PRIVATE

sailing dinghies, including those used for tuition commercially but which are not let out for unsupervised hire

Note: sailing dinghies fitted with outboard motors as for category 4.

[50 mm] options:

- (a) on both sides near bow
- (b) on tabernacle both sides
- (c) on stern of vessel facing outboard provided clearly visible and never obscured by covers etc. while vessel is afloat.

9 HIRE

rowing/sailing/outboard dinghies. Includes all dinghies let out for hire as tenders to larger hire craft. Excludes all powered dinghies let out for independent or unsupervised hire, for which see category 3.

[50 mm] options:

- (a) on both sides near bow
- (b) on transom facing outboard,
- (c) on transom inboard provided clearly visible and never obscured by covers etc. while vessel is afloat.

10 PRIVATE

rowing dinghies, including non-powered tenders to larger craft

[50 mm] options:

- (a) on both sides near bow
- (b) on transom facing outboard,
- (c) on transom inboard provided clearly visible and never obscured by covers etc. while vessel is afloat.

11 PRIVATE
canoes, kayaks

[50 mm] options:

(a) one set on port side of vessel near bow.

(b) one set in front of helm, across the deck and readable from the bow.

British Canoeing members are not required to display registration marks but their membership card must be carried at all times and produced on request.

12 sailboards,
paddle boards

[50 mm] across the board near the bow readable from the bow

13 river
maintenance
craft
including
mud wherries,
crane pontoons,
piling rigs, tugs etc.

[90 mm] on forepart of vessel visible both sides and on stern of vessel so as to be visible from astern.

14 HIRE & PRIVATE
houseboats
stationary/
non-powered

Display not required provided name of vessel clearly displayed on either side.

