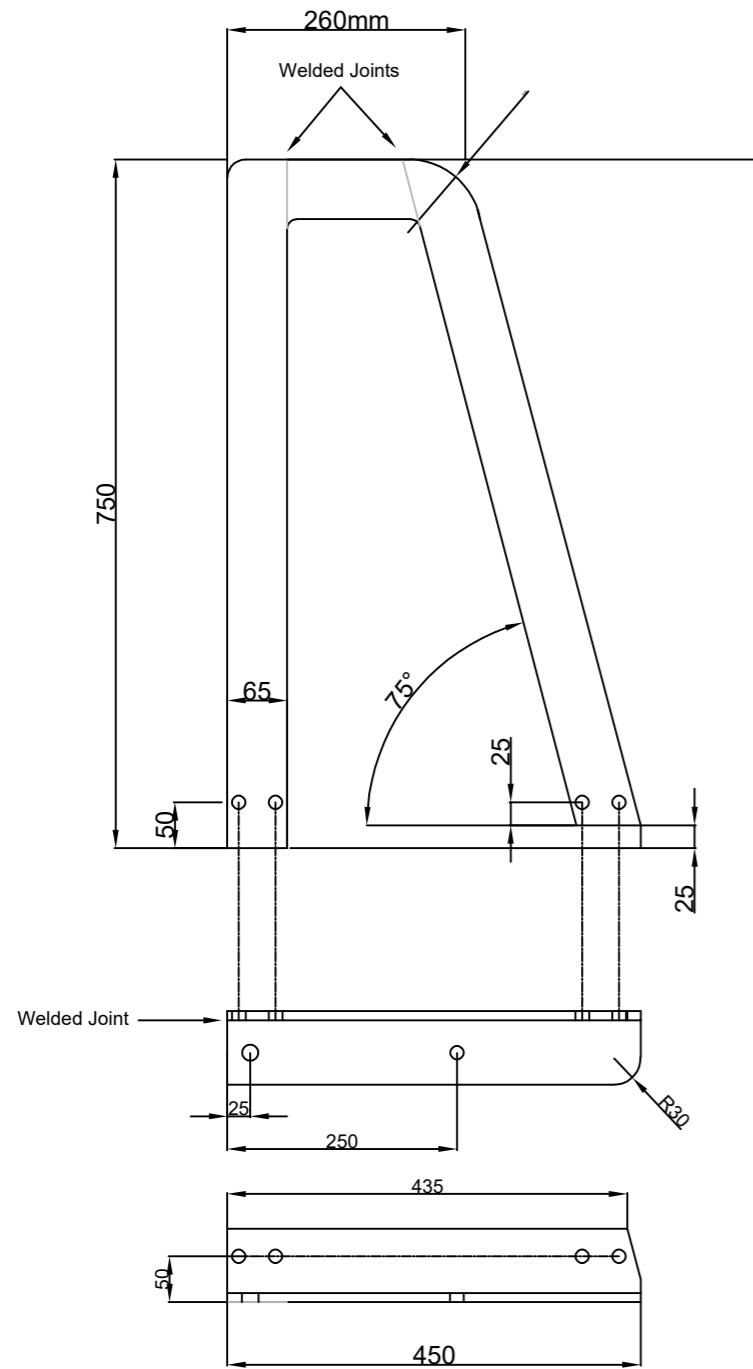
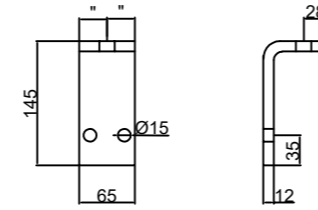


Detail of Ladder Handrail

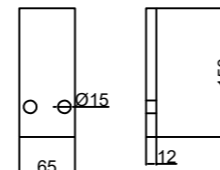


Detail of Ladder Top Fixing Bracket

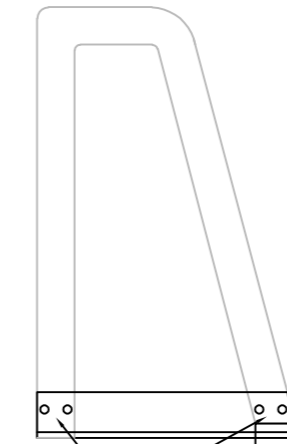


12mm thickness

Detail of Bottom Mounting Bracket



12mm thickness

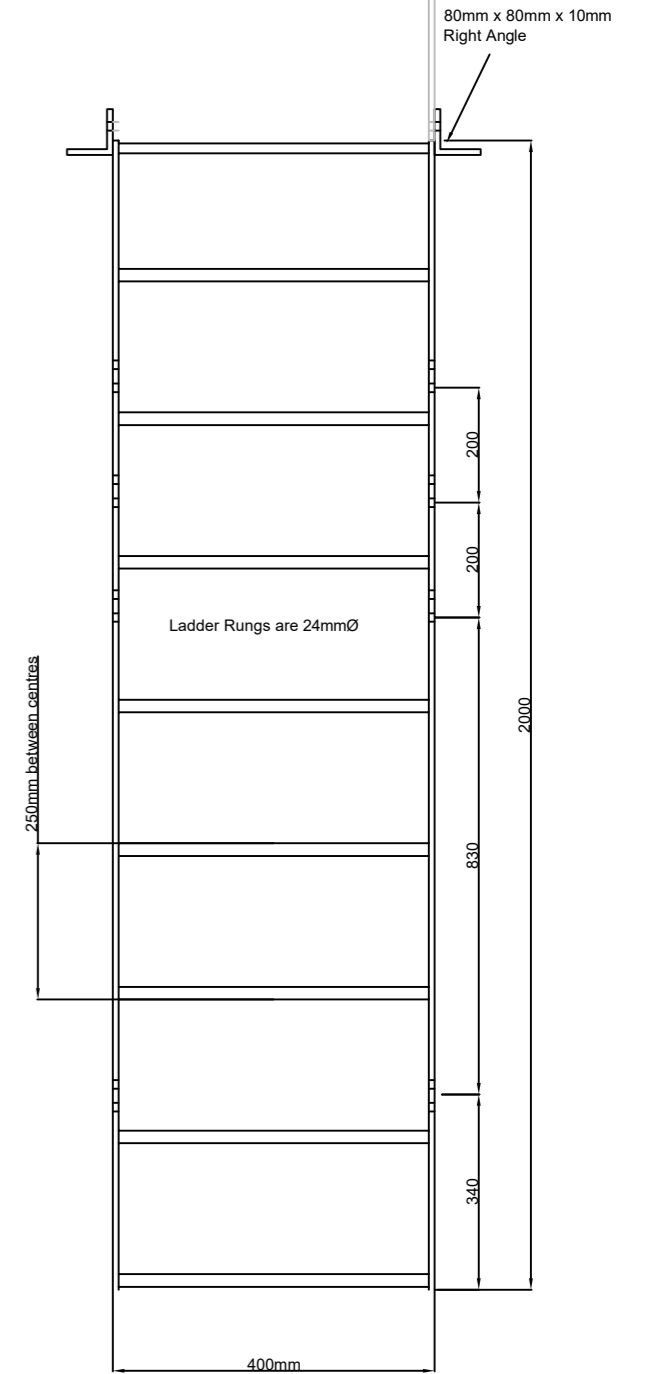


Handrails attached by 12mm x 40mm s/s bolts with s/s nylock roundheads with allen key fittings.

Alternative Attachment Points for Top Bracket

10mm thickness

Attachment Point for Bottom Bracket



Yare House, 62-64 Thorpe Road
Norwich, Norfolk, NR1 1RY
Tel +44 (0)1603 610734
Fax +44 (0)1603 765710
Email broads@broads-authority.gov.uk
Web www.broads-authority.gov.uk

Project Title

Drawing Title

Drawing no.

BA/HRP/2024/AS//006

Hoveton
Riverside Park

Typical Ladder Detail

Date

April 2024

Scale- NTS

Prepared by

AS